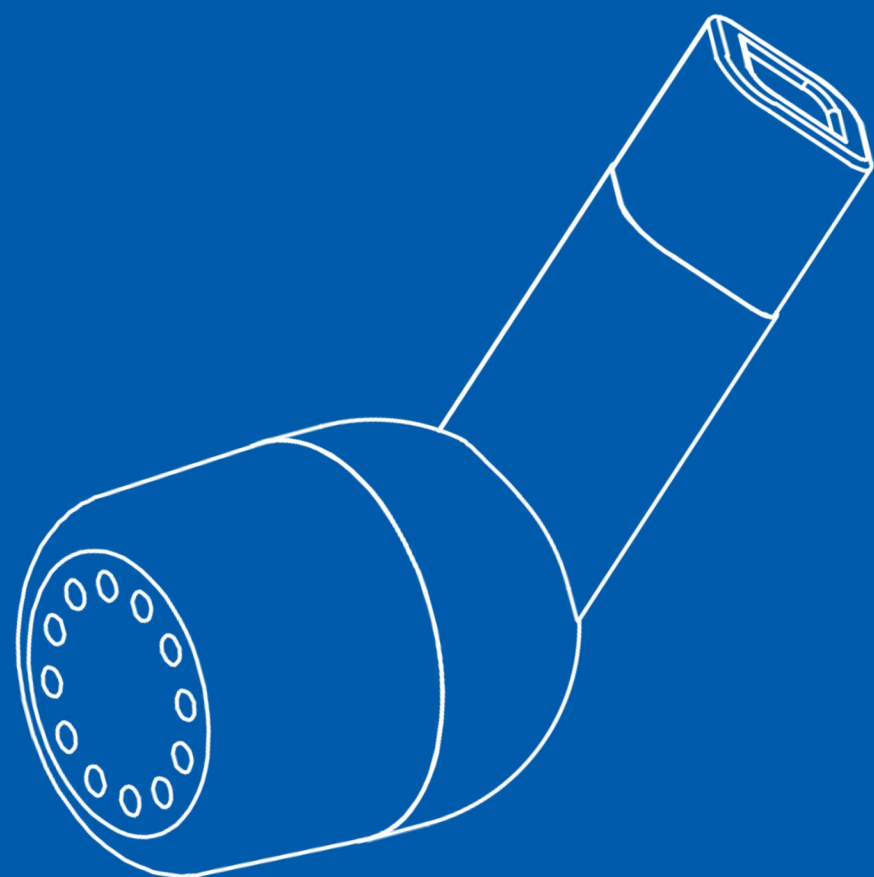




Airway Vibration Sputum Ejector

陕械注准20182260057



Product features

- The shape of the product is similar to that of a tobacco pipe. Through blowing, the steel ball resonates with the trachea and the main bronchus, pulling the sputum out of the body.

Clinical guideline

- Used for patients whose sputum is viscous and difficult to discharge.



Product features

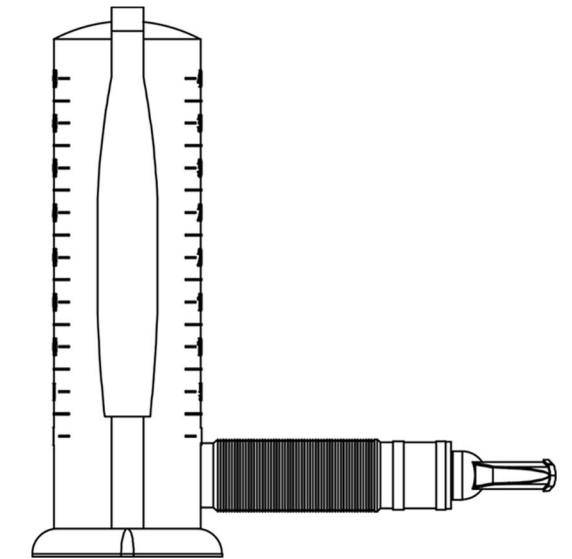
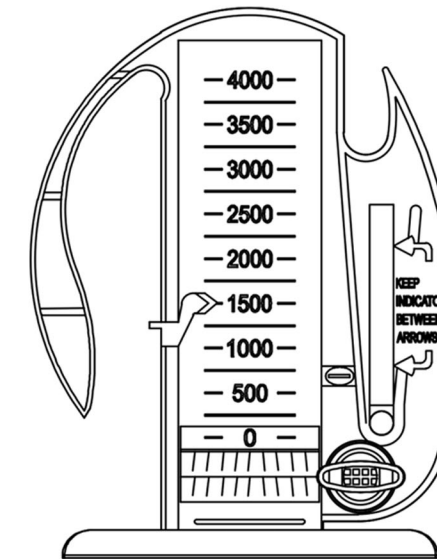
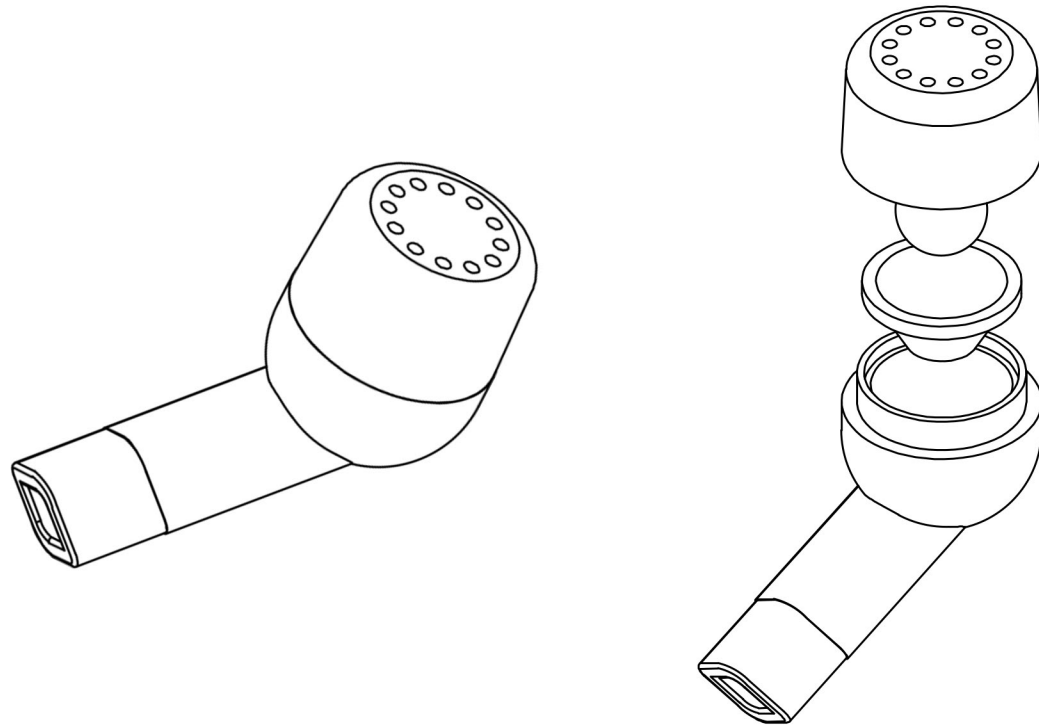
- Set goals, inhale vigorously and exhale naturally.

Clinical guideline

- For Peri-operative-period patients' respiratory function exercise.

Airway vibration sputum ejector

Breathing trainer
(single cylinder and single plug)



DRL		
Code	Size	Qty
081100	general	100

DRB-D		
Code	Size	Qty
080900	single cylinder and single plug	16